

Technical data sheet

Product features



Cooking range gas

Model	SAP Code	00008516
--------------	-----------------	----------



- Device type: Gas unit
- Power consumption of the zone 1 [kW]: 7,5
- Power consumption of the zone 2 [kW]: 7,5
- Power consumption of the zone 3 [kW]: 7,5
- Power consumption of the zone 4 [kW]: 4,5
- Ignition: Eternal flame
- Material: AISI 304 top plate and cladding

SAP Code	00008516	Type of gas	Natural gas, propane butane
Net Width [mm]	800	Number of zones	4
Net Depth [mm]	730	Power consumption of the zone 1 [kW]	7,5
Net Height [mm]	300	Power consumption of the zone 2 [kW]	7,5
Net Weight [kg]	50.70	Power consumption of the zone 3 [kW]	7,5
Power gas [kW]	27.000	Power consumption of the zone 4 [kW]	4,5

Technical data sheet

Technical drawing

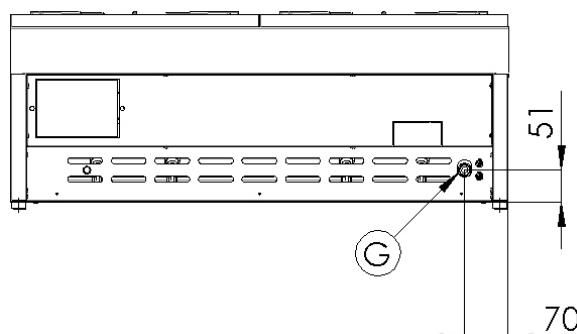
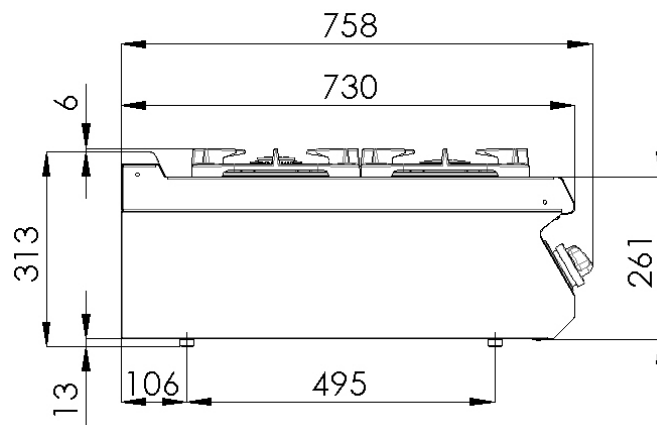
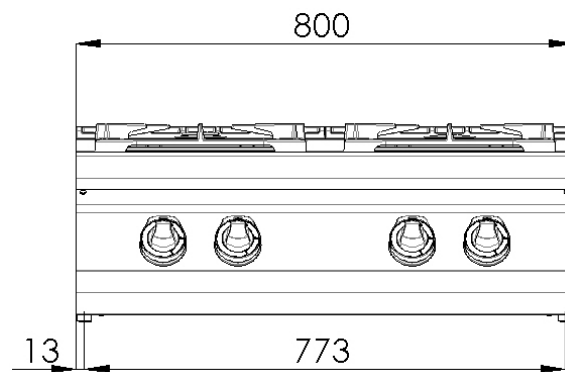


Cooking range gas

Model

SAP Code

00008516



Technical data sheet

Technical parameters



Cooking range gas

Model

SAP Code

00008516

1. SAP Code:

00008516

2. Net Width [mm]:

800

3. Net Depth [mm]:

730

4. Net Height [mm]:

300

5. Net Weight [kg]:

50.70

6. Gross Width [mm]:

840

7. Gross depth [mm]:

800

8. Gross Height [mm]:

480

9. Gross Weight [kg]:

59.50

10. Device type:

Gas unit

11. Construction type of device:

Table top

12. Power gas [kW]:

27.000

13. Ignition:

Eternal flame

14. Type of gas:

Natural gas, propane butane

15. Exterior color of the device:

Stainless steel

16. Material:

AISI 304 top plate and cladding

17. Worktop type:

Molded - comfortable cleaning maintenance

18. Worktop material:

AISI 304

19. Worktop Thickness [mm]:

1.50

20. Number of zones:

4

21. Power consumption of the zone 1 [kW]:

7,5

22. Power consumption of the zone 2 [kW]:

7,5

23. Power consumption of the zone 3 [kW]:

7,5

24. Power consumption of the zone 4 [kW]:

4,5

25. Service accessibility:

Trough the frontal panel

26. Safety thermocouple:

Yes

27. Number of burners/hot plates:

4

28. Type of gas cooking zones:

Classic

Technical data sheet

Technical parameters



Cooking range gas

Model	SAP Code	00008516

29. Burner type:

Cast iron, detachable, with internal and external combustion

30. Connection to a ball valve:

1/2